

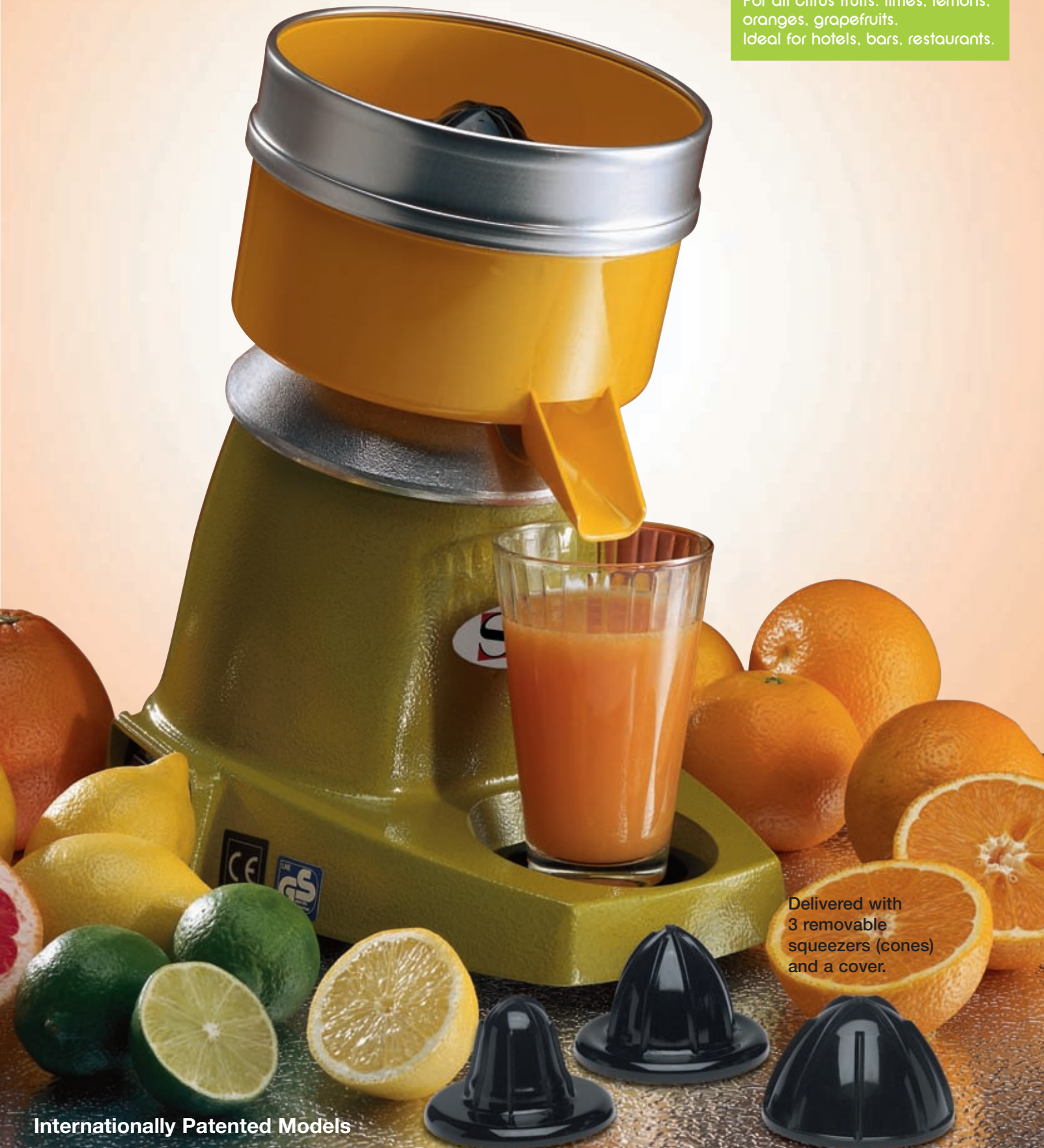


www.santos.fr



## "Classic" Citrus Juicer # II

The genuine commercial citrus juicer since 1954  
For all citrus fruits: limes, lemons, oranges, grapefruits.  
Ideal for hotels, bars, restaurants.



Delivered with  
3 removable  
squeezers (cones)  
and a cover.

Internationally Patented Models



# "Classic"

Since 1954



The real commercial juicer, built to last, with a heavy duty and quiet asynchronous motor, for use everywhere you need a fresh squeezed citrus juice: Juice Bars, Health Food Stores, Hotels, Bars, Restaurants, Cafeterias, Ice Cream shops, Institutions, Hospitals and even...at Home.

High output : just cut your citrus half and press. You will extract easily from 20 to 40 litres per hour (5 to 10 gallons).

Removable bowl yellow or black.  
Unbreakable - food material (NSF approved).

Chromed or painted (green or grey) motor base.

Inclined body for better output

3 removable squeezers (cones) for :  
✓ Limes  
✓ Lemons and oranges  
✓ Grapefruits



and a cover

Wide spout accepting all types of glasses.  
Height of the spout :  
✓ 125 mm (5")

Heavy duty and quiet asynchronous motor.  
High speed.

Removable polycarbonate drip tray.



# II C Chromed



# II Green



# II Grey

# Juicer # II

Easy to use - Easy to clean - Completely safe



www.santos.fr

The unique juicer that you can clean quickly and easily :  
just wash the main different parts of the top.  
All are easily removed from the base in a simple movement.  
(NSF approved)



Cones  
Metallic ring  
Grid  
Plastic bowl  
Body



## Technical specifications

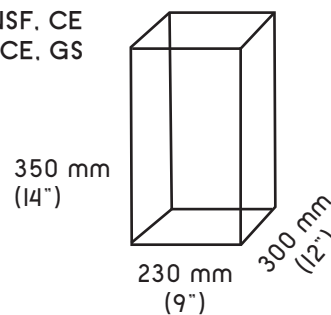


**Motor**  
Single phase 100-120V - 50/60 Hz - 155 W - NSF, CE  
220-240V - 50/60 Hz - 130 W - CE, GS  
Speed 1500 rpm (50 Hz)  
1800 rpm (60 Hz)

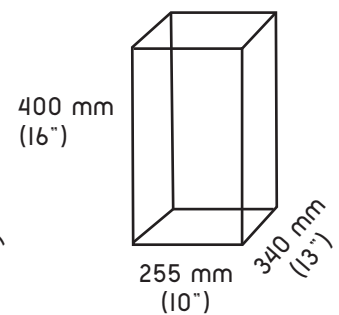


**Weight**  
Net 5 Kg (11 lbs)  
Packed 5.6 Kg (12 lbs)

### Appliance :



### Shipping box :



## Safety - Standards - Hygiene

In accordance with the following regulations :

- Machinery directive 2006/42/EC
- Electromagnetic compatibility 2004/108/EC
- "Low voltage" directive 2006/95/EC
- RoHS directive 2002/95/EC
- Regulation 1935/2004/EC (contact with food)

- Harmonized European standards  
NF EN 12100-1 and 2 : 2004  
NF EN 60204-1 : 2006  
NF EN 60 335-2-64 : 2004
- CE European standards, GS (Germany) controlled by LNE laboratory, NSF (USA)

### Electrical safety

- On/Off interlock switch is waterproof
- All mechanical parts are ground (earth) connected
- All equipment is 100% tested at the end of assembly (special electrical testing bay)

### Thermal safety

Motor protected by internal thermal detector

### Acoustic safety

The asynchronous motor with direct drive is particularly silent

### Hygiene

All removable parts can be put in a dishwasher or easily cleaned with hot soapy water (NSF approved)

PRODUCT: 2-YEAR WARRANTY - MOTOR: 5-YEAR WARRANTY

